



12" DC AXIAL FAN - 24 VOLT

Part # 500-312242IP

The powerful 12-inch ignition protected DC axial fan is ideally suited for small vessel engine rooms and OEM applications. It has been designed and manufactured specifically for marine use. Excellent for today's high horsepower gas and diesel vessels.



AIRFLOWS TO 1619 CFM

Design & Construction

Fans are specifically designed and built for the marine environment, with a flanged glass filled nylon shroud, this unit provides a nearly indestructible, compact fan with superior corrosion resistance.

Motor

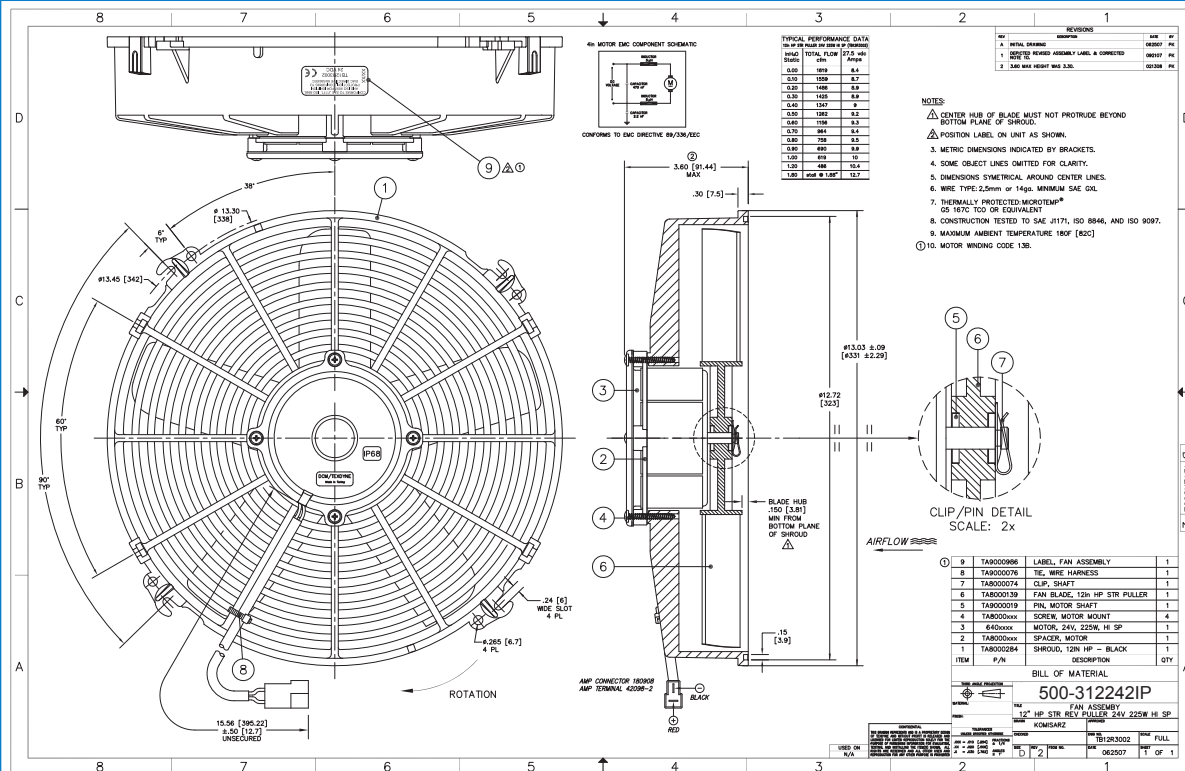
The motor is a totally enclosed (TEAO) double-shielded ball bearing type, and is constructed with die cast aluminum end plates, O-ring seals, stainless steel shaft and tough black Teflon epoxy coating for corrosion resistance.

Blower Blades & Housing

A ten blade glass filled nylon hub with a pilot is secured directly to the motor shaft. Hub/blade assembly is reversible for reversing the airflow. Fan airflow may be set up as a pusher or puller.

Performance

Continuous duty rated and ignition protected with airflows to 1400 CFM at free air. CE Labeled with up to a 59% increase in airflow over the earlier types. Ignition proof construction, conforms to J1171, ISO 8846 and ISO 9097.



TYPICAL PERFORMANCE DATA
12in HP STR PULLER 24V 225W HI SP (TB12R3002)

inH ₂ O Static	TOTAL FLOW cfm	27.5 vdc Amps
0.00	1619	8.4
0.10	1559	8.7
0.20	1486	8.9
0.30	1425	8.9
0.40	1347	9
0.50	1262	9.2
0.60	1156	9.3
0.70	964	9.4
0.80	758	9.5
0.90	690	9.9
1.00	619	10
1.20	486	10.4
1.80	stall @ 1.88"	12.7