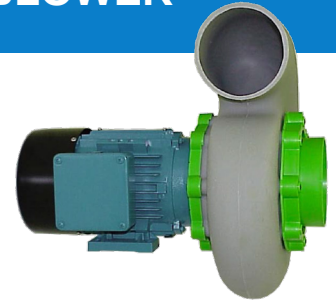




5000 SERIES CENTRIFUGAL BLOWER

Part # 500-5113 and 500-5173

The 5000 Series Blower is specifically designed and built for the rigors of the marine environment and not adapted from other industries.



AIRFLOWS TO 520 CFM

Design & Construction

With polypropylene composite housing and fan wheel, this unit provides a compact blower with excellent corrosion resistance and light weight.

Motor

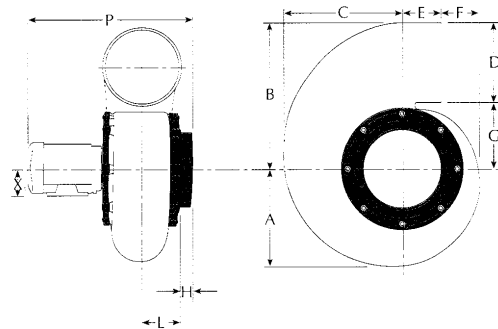
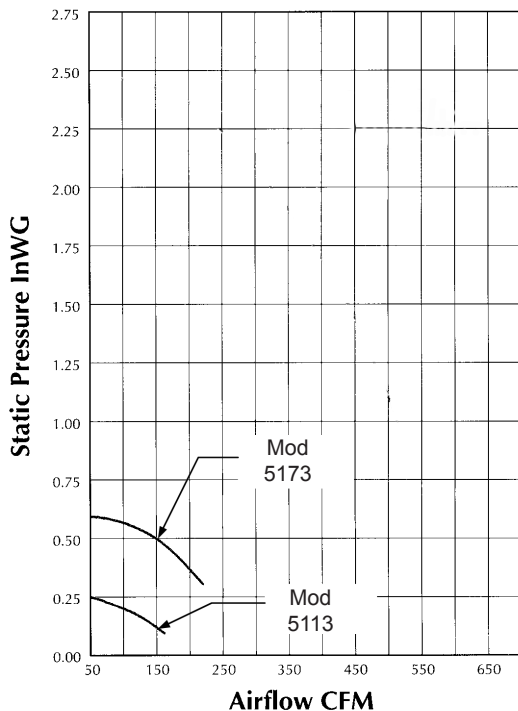
A 208-230/440-460 VAC, 1/4 to 3/4 HP (depending upon model), 50/60 HZ three-phase direct drive motor is utilized to provide continuous duty service. Motor is available with optional I-EEE-45 Certification.

Environmental

Operation for the polypropylene composite housing and fan wheel is recommended up to 165°F (70°C).

Performance

Continuous duty rated and ignition protected with airflows to 520 CFM. Available I-EEE-45 Motor Certification (3 Phase Only).



A	B	C	D	E	F
6.8"	9.6"	8.12"	5.0"	4.0"	1.28"
172.7m	243.8m	206.3m	127mm	101.6m	32.5mm
G	H	L	P	X	Weight
4.6"	1.2"	2.8"	15.2"	2.8"	±18 lbs.
116.8m	30.5mm	71.1mm	386mm	71mm	8.2kG