



8.5 Ton Marine Release Hook

Part # 200-70-DPR-856-C4B

This boat mounted Cranston Eagle 8.5 ton rated marine off-load release hook used to launch and recover RHIBs and other small craft or marine applications. This model has been tested to six times it's rated capacity.



Design & Construction

This boat mounted hook features an extremely robust welded frame and bolt on components and a positive lock feature. Release mechanism is actuated with a pull cable.

Hook Type Off-Load Only

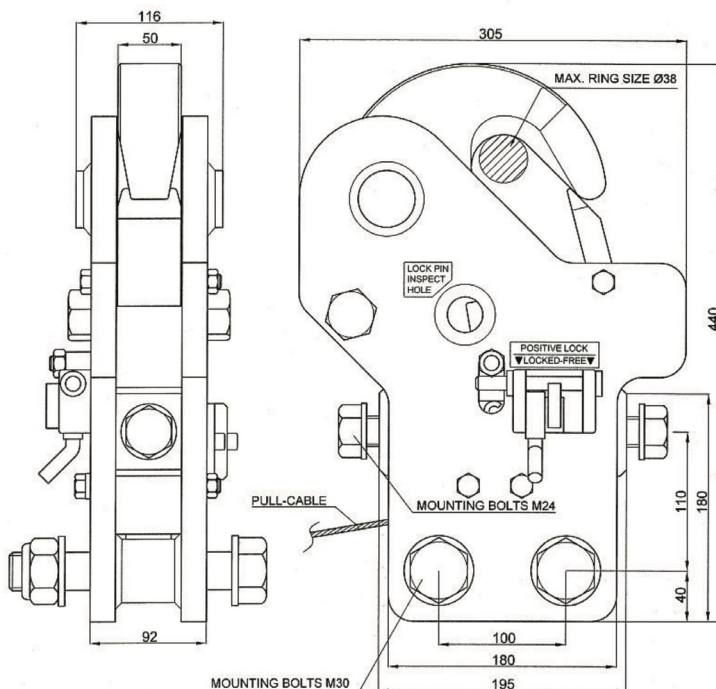
This hook is an off-load type hook which means that the load must be off of the hook before it will open by pulling the release pull cable. This is the safest of all hook types because of this fact.

Materials

The model 200-70-DPR-856-C4B is made entirely from marine grade stainless steel for extended service life and ultimate reliability in the marine environment.

Service, Testing & Recertifications

Delta T Systems is the Authorized U.S. Agent for Cranston Eagle marine off-load hooks, including parts, rebuilds, load testing and the required five year recertification services.



“C-E” Marine Hook, Off-Load Type

Model: 200-70-DPR-856-C4B

Cable Release, Boat Mounting with 4 bolts (included).

SWL/WLL: 8500 kg (6:1)

Weight: 47 kg

Fitted with positive lock feature.