



**DELTA-T**  
SYSTEMS

## 4 INCH INLINE DUCT FAN

### Part # 500-804XL

This versatile Inline fan features a plastic housing constructed of UL-recognized, UV-protected thermoplastic resin.



### Design & Construction

The inline duct fans may be mounted in wet locations which makes them ideal for multiple point exhaust, dual head exhaust, or other marine applications.

### Motor

The inline fans are caulked at the motor screws, the wiring cables and along the seams of the fan to prevent moisture from entering the housing. These fans are speed controllable.

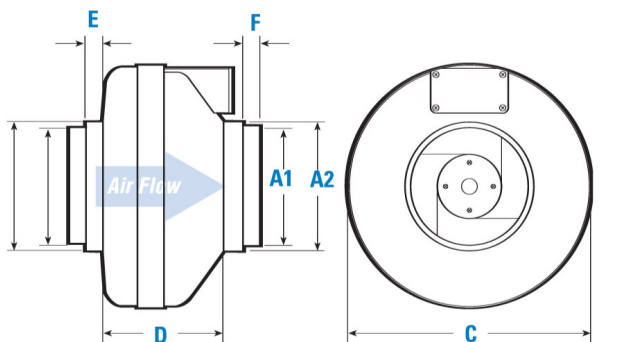
### Wiring & External Housing

A sealed thermoplastic housing incorporates a robust junction box with a waterproof gasket for easy external wiring connections. Fan operates on 115 volts AC. A mounting bracket is included for ease of installation.

### Performance

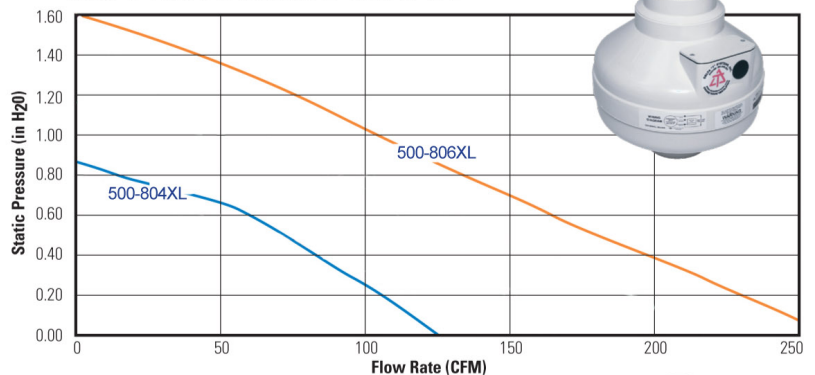
Approved for wet locations and suitable for air-stream temperatures up to 140 degrees F. Airflows to 120 CFM.

### DIMENSIONAL DATA



Model	†A1	A2	C	D	E	F
500-804XL	4	5	9½	6⅞	7⅞	7⅞

### AIR PERFORMANCE GRAPHS



### PERFORMANCE DATA

Fan Model	Energy Star	RPM	Voltage	Rated Watts	Wattage Range	Max. Amps	Static Pressure in Inches W.G.						Max. Ps	Duct Dia.	
							0"	.2"	.4"	.6"	.8"	1.0"			1.5"
500-804XL	✓	2900	115	19	13 - 19	0.18	122	100	78	55	15	—	—	0.87"	4"

Performance shown is for installation type D - Ducted inlet, Ducted outlet. Speed (RPM) shown is nominal. Performance is based on actual speed of test. Performance ratings do not include the effects of appurtenances in the airstream.