



Premium Marine Axial Fans

Premium Fans

Delta "T" Systems' Premium Axial Ventilation Fans are specifically designed and built for the rigors of the marine environment, not adapted from other industries. Available in standard and custom sizes to fit your needs.



Design & Construction

Flanged housings of welded marine grade aluminum provide light-weight and excellent corrosion resistance. Major assembly hardware is corrosion resistant stainless steel for long life.

Motor

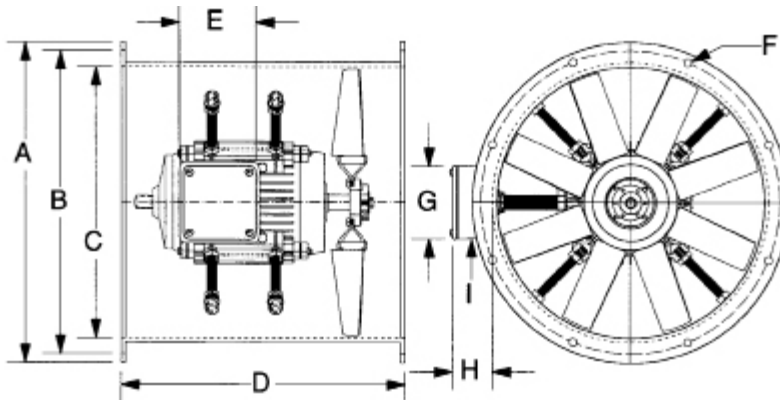
High efficiency NEMA Premium three phase or single phase direct drive motors are utilized to provide quiet continuous duty service. Available with "CE" Classification, 50 or 60 HZ.

Fan Hubs & Blades

Corrosion resistant aluminum hubs are secured directly to the motor shaft using multiple locking methods for enhanced safety and reliability. Fan blades are non-corrosive polypropylene composite.

Finish

Available in mill finish raw aluminum or powder coated to any color.



Fan Size	A OD	B Bolt Circle	C ID	D Length	E	F Bolt Holes	G	H	I NPT
12 in. 304.8 mm	14 3/4 in. 374.7 mm	13 3/4 in. 349.3 mm	12 in. 304.8 mm	16 in. 406.4 mm	4 3/16 in. 106.4 mm	8 x 3/8 in. 8 x 9.5 mm	5.5 in. 139.7 mm	3 1/16 in. 77.8 mm	3/4 in.
15 in. 381 mm	17 3/4 in. 450.9 mm	16 3/4 in. 425.5 mm	15 in. 381 mm	16 in. 406.4 mm	4 3/16 in. 106.4 mm	8 x 7/16 in. 8 x 11 mm	5.5 in. 139.7 mm	3 1/16 in. 77.8 mm	3/4 in.
19 in. 482.6 mm	21 3/4 in. 552.5 mm	20 3/4 in. 527 mm	19 in. 482.6 mm	18 in. 406.4 mm	4 13/16 in. 122.2 mm	8 x 9/16 in. 8 x 14.3 mm	6.5 in. 165 mm	3 1/4 in. 82.5 mm	3/4 in.
21 in. 533.4 mm	23 3/4 in. 603.3 mm	22 3/4 in. 577.9 mm	21 in. 533.4 mm	18 in. 457 mm	4 13/16 in. 122.2 mm	12 x 9/16 in. 12 x 14.3 mm	6.5 in. 165 mm	3 1/4 in. 82.5 mm	3/4 in.
24 in. 609.6 mm	26 3/4 in. 679.5 mm	25 3/4 in. 654 mm	24 in. 609.6 mm	18 in. 457 mm	4 13/16 in. 122.2 mm	12 x 9/16 in. 12 x 14.3 mm	6.5 in. 165 mm	3 1/4 in. 82.5 mm	3/4 in.
30 in. 762 mm	33 3/4 in. 857.25 mm	32 5/16 in. 820.7 mm	30 in. 762 mm	28 in. 711.2 mm	5 3/8 in. 136.5 mm	16 x 9/16 in. 16 x 14.2 mm	7 13/16 in. 198.4 mm	4 1/4 in. 107.9 mm	1 in. 25.4 mm
36 in. 914.4 mm	39 3/4 in. 1009.6 mm	38 in. 965.2 mm	36 in. 914.4 mm	28 in. 711.2 mm	5 3/8 in. 136.5 mm	16 x 9/16 in. 16 x 14.2 mm	7 13/16 in. 198.4 mm	4 1/4 in. 107.9 mm	1 in. 25.4 mm